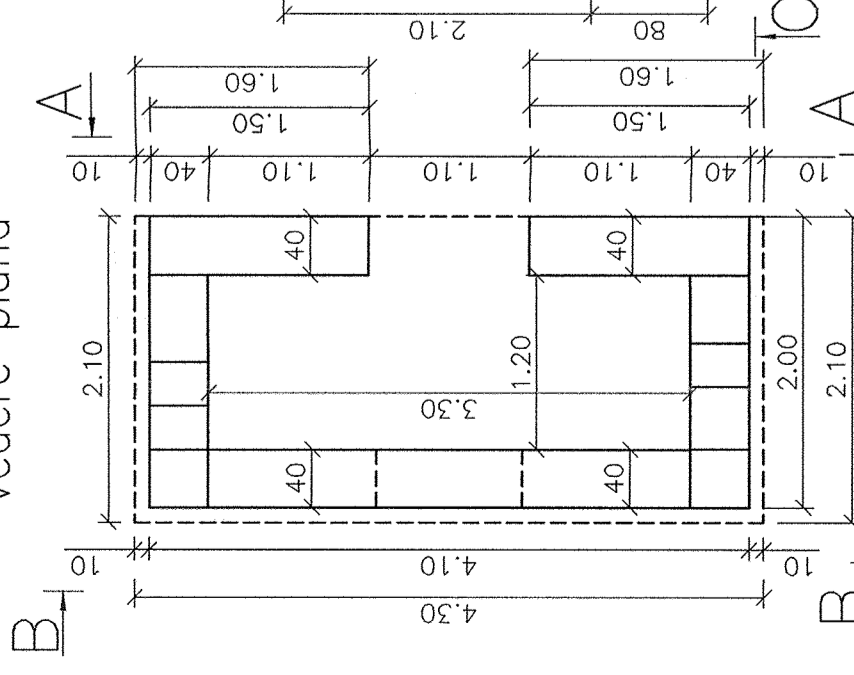
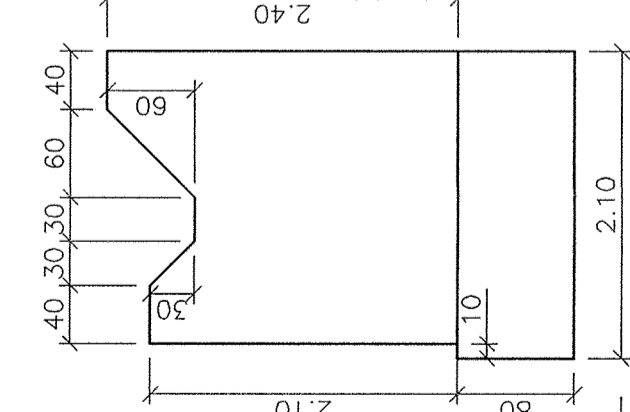


PLAN COFRAJ CAMERA DE COLECTARE SHUTTER PLAN OF COLLECTING ROOM

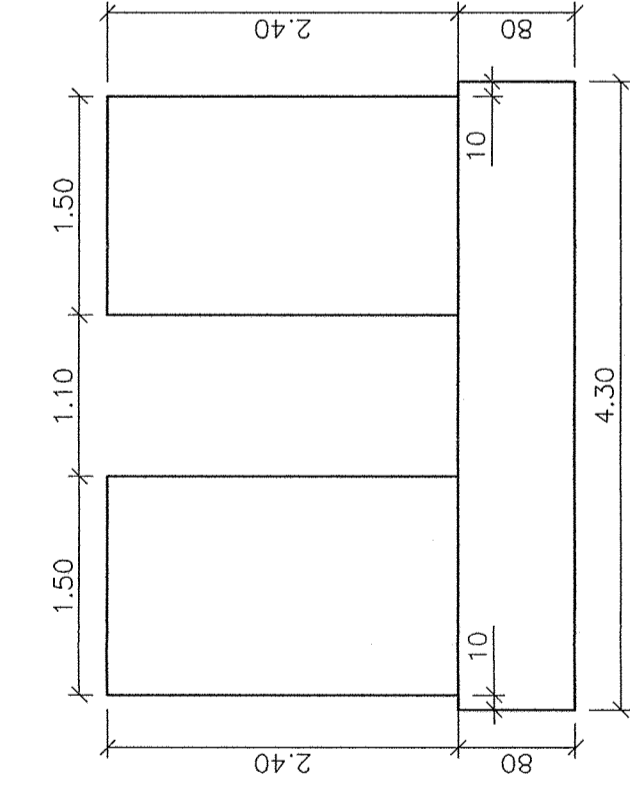
Vedere plana



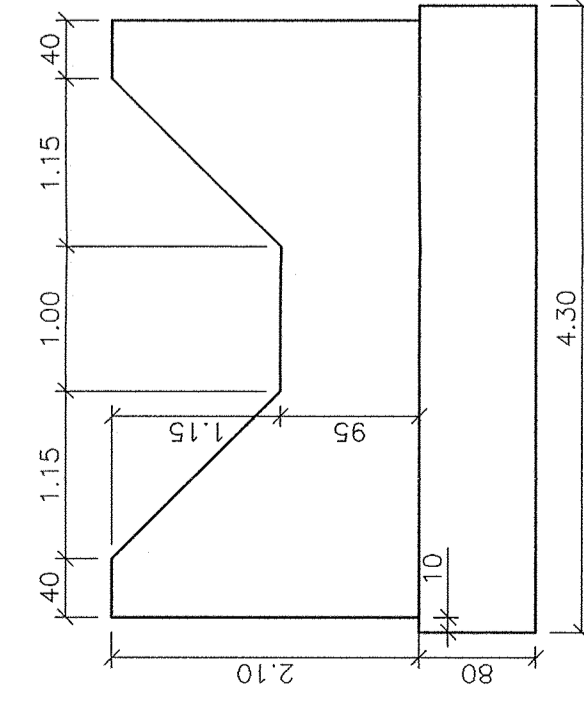
Vedere C-C



Vedere A-A



Vedere B-B



- OTEL PC 52;
- PLASA SUDATA (STNB ø10) CU OCHIURI 100x100mm
- STRAT ACOPERIRE 40mm
- VOLUM BETON C25/30 ~9.00mc
- VOLUM BETON C25/30 ~7.50mc
- COFRAJ ~40mp
- STEEEL PC 52;
- WELDED NET (STNB ø10) WITH EYE MESH 100x100mm
- 40mm THICK COVERL AYER
- VOLUME OF CONCRETE C25/30 ~9.00mc
- VOLUME OF CONCRETE C25/30 ~7.50mc
- SHUTTER ~40mp

PLAN ARMARE CAMERA DE COLECTARE REINFORCEMENT PLAN OF COLLECTING ROOM

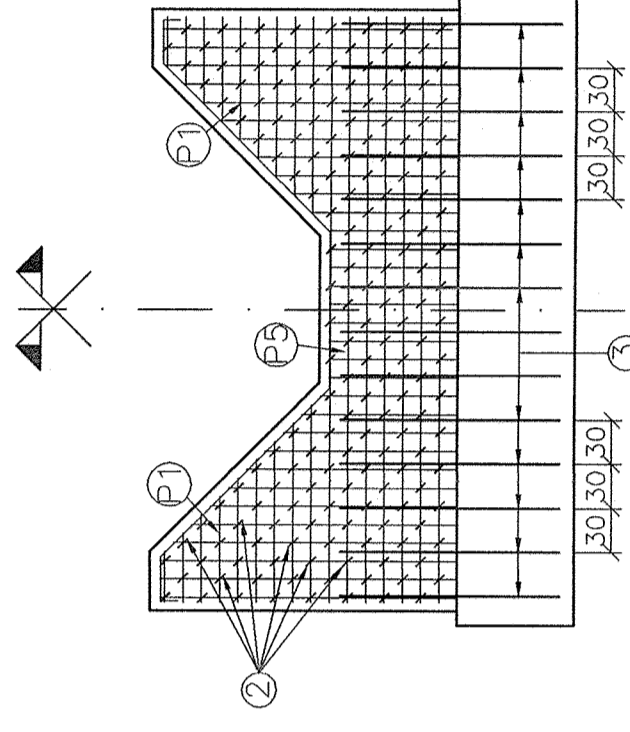
EXTRAS DE ARMATURA

Element	Marca	Diametrul	Nr. barelor asemenate	Lungimea in metri a unei bare		OB 37	PC 52
Denumirea si bucatia a elementelor	1	12	2	2	5.10		
	2	6	625	625	0.35	220.0	
	3	20	62	62	1.50		
	4	12	2	2	2.30		
Total lungimi pe diametre (m)				220.0		93.00	4.60
Masa pe metru (kg)				0.222		2.465	0.887
Masa pe diametre (kg)				49.00		230.00	14.00
Masa totala pe tipuri de otel (kg)						293.00	

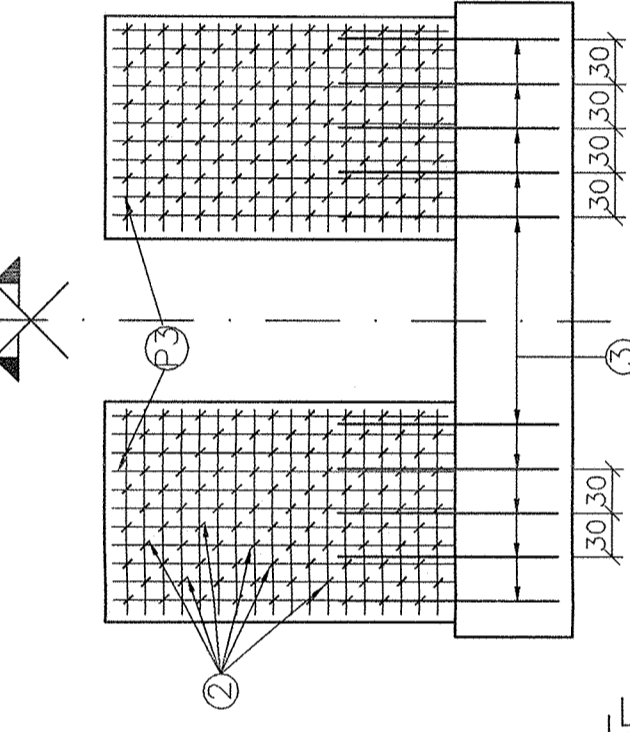
EXTRAS DE PLASE SUDATE

Pozitia	Lungimea (m)	Latimea (m)	Suprafata (mp)	Masa pe mp (kg)	Masa pe bucata (kg)	Bucata	Masa totala (kg)
P1	2.55	2.10	5.35	12.34	66.02	2	132.04
P2	1.75	1.80	3.15	12.34	38.87	2	77.74
P3	2.80	2.40	6.75	12.34	83.30	2	166.60
P4	2.00	2.40	4.80	12.34	59.23	2	118.46
P5	1.80	0.88	1.60	12.34	19.74	2	39.49
TOTAL							~550.00

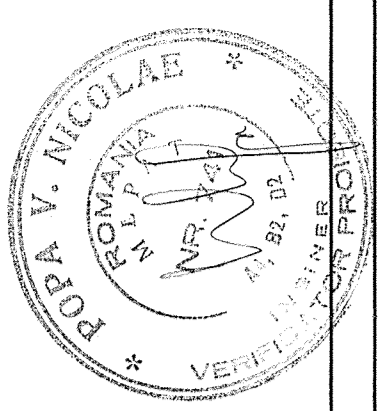
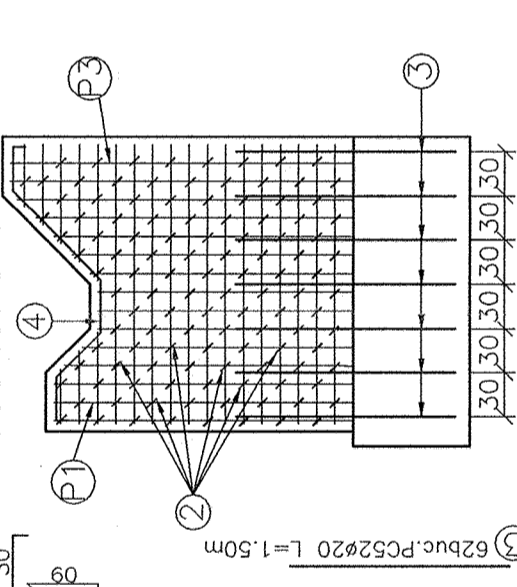
Sectione E-E



Sectione D-D



Sectione F-F



Modificari / Data		Data	
BENEFICIAR/BENEFICIARY:	ROMANIAN RAILWAY NATIONAL COMPANY	Mobilizata / Implementata	AUTORITATEA DE IMPLEMENTARE / IMPLEMENTUNG AUTHORITY
Contract / Contract	1809/2007	AUTORITATEA CONTRACTANTIA/ CONTRACTING AUTHORITY	
Phase / Phase	7-Ph-D5E / 7-Ph-D5	Ministerul Economiei si Finantelor: Oficiu de Piali al Contractare Phase	
UNIONA EUROPEANA / EUROPEAN UNION		Ministerul Transporturilor / Ministry of Transports	
PORTOFOLIUL DE PROIECTE PHARE CES 2005 / PHASE CES 2005 PROJECTS PORTFOLIO		Project / Project	
POS Transport / 2007-2013		Ministerul Transporturilor / Ministry of Transports	
Intinstit / Designed	Ing. Razvan Sterie	Scara / Scale	1:100
Verificat / Checked	Ing. Ioan Dachin	Data / Date	05.2009
Sei echipa / Team leader	Ing. Stellan VARA-OROS	Cod desen / Drawing Code	PT 241

P1, P2 Plasa sudata SR 438-3
P3, P4 100mmx100mm STNB-10
STAS 438-2

Plasa sudata SR 438-3
100mmx100mm STNB-10
STAS 438-2

Contract / Contract	1809/2007
Phase / Phase	7-Ph-D5E / 7-Ph-D5
UNIONA EUROPEANA / EUROPEAN UNION	
PORTOFOLIUL DE PROIECTE PHARE CES 2005 / PHASE CES 2005 PROJECTS PORTFOLIO	
Project / Project	
Ministerul Transporturilor / Ministry of Transports	
Contract / Contract	PT 241